

**WATER STANDARD**



DRAWN: NGUYEN BUI

DATE: 04-05-2001

SCALE: AS SHOWN

**THRUST BLOCKS**

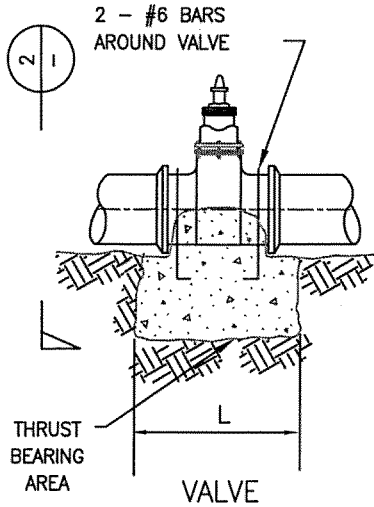
APPROVED: *Chet Anderson* 40330 03/22/05  
ASSISTANT DIRECTOR - WATER OPERATIONS RCE NO. DATE

DWG. NO.

**W - 7**

SHEET  
**1 OF 2**

### THRUST BEARING AREA (SQURE FEET)

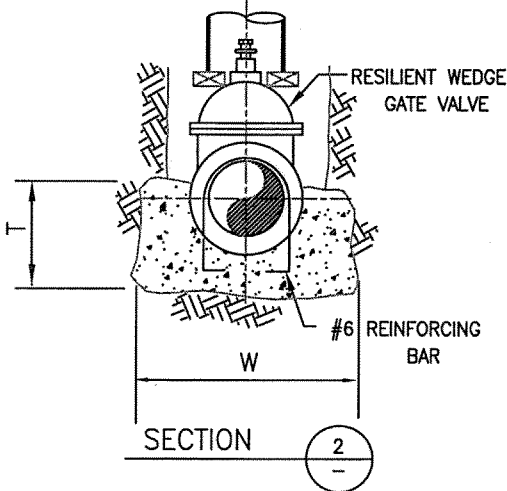


PIPE SIZE		6"	8"	10"	12"
TEST PRESSURE (PSI)		150	150	150	150
BENDS	90°	4.0	7.1	11.1	16.0
	45°	2.2	3.8	6.0	8.7
	22.5°	2.0	2.0	3.1	4.4
	11.25°	2.0	2.0	2.0	2.2
PLUG		5.7	10.1	15.7	22.6
TEE/VALVE		2.8	5.0	7.9	11.3
CROSS *		2.8	5.0	7.9	11.3
REDUCER		2.0	4.0	7.0	10.0

\* WITH A VALVE

TABLE(S) BASED ON SOIL BEARING VALUE OF 1500 lb. PER SQUARE FOOT.

CALCULATIONS MUST BE SUBMITTED FOR OTHER SOIL BEARING VALUES OR OTHER TEST PRESSURE IN WATER MAIN.



### VERTICAL ANCHOR (CUBIC FEET OF P.C.C.)

PIPE SIZE		6"	8"	10"	12"
TEST PRESSURE (PSI)		150	150	150	150
BENDS	90°	62	111	173	249
	45°	44	78	122	176
	22.5°	24	42	66	95
	11.25°	12	22	34	49

#### NOTES:

1. THRUST BLOCKS MUST BEAR ON UNDISTURBED SOIL.
2. CONCRETE FOR THRUST & ANCHOR BLOCKS SHALL BE OF CLASS 480-C-2000 IN ACCORDANCE WITH S.S.P.W.C. IT SHALL BE POURED (12" THICK MIN.) AGAINST UNDISTURBED SOIL. P.C.C. SHALL BE KEPT CLEAR OF PIPE & BELL OF THE FITTINGS.
3. WHEN MECHANICAL JOINTS ARE UTILIZED, SET FORMS TO SEPARATE BOLTS FROM P.C.C. TO ASSURE ACCESS TO BOLTS & JOINTS.

VALVE AND PIPE SIZE	(L) LENGTH	(W) WIDTH	(T) THICKNESS
6"	2'	2'-0"	12"
8"	3'	2'-2"	14"
10"	3'	2'-4"	14"
12"	4'	2'-6"	15"

## WATER STANDARD



DRAWN: NGUYEN BUI

DATE: 04-05-2001

SCALE: AS SHOWN

### THRUST BLOCKS

APPROVED: *Chet Anderson* 40330 03/22/05  
ASSISTANT DIRECTOR - WATER OPERATIONS RCE NO. DATE

DWG. NO.

**W - 7**

SHEET  
**2 of 2**