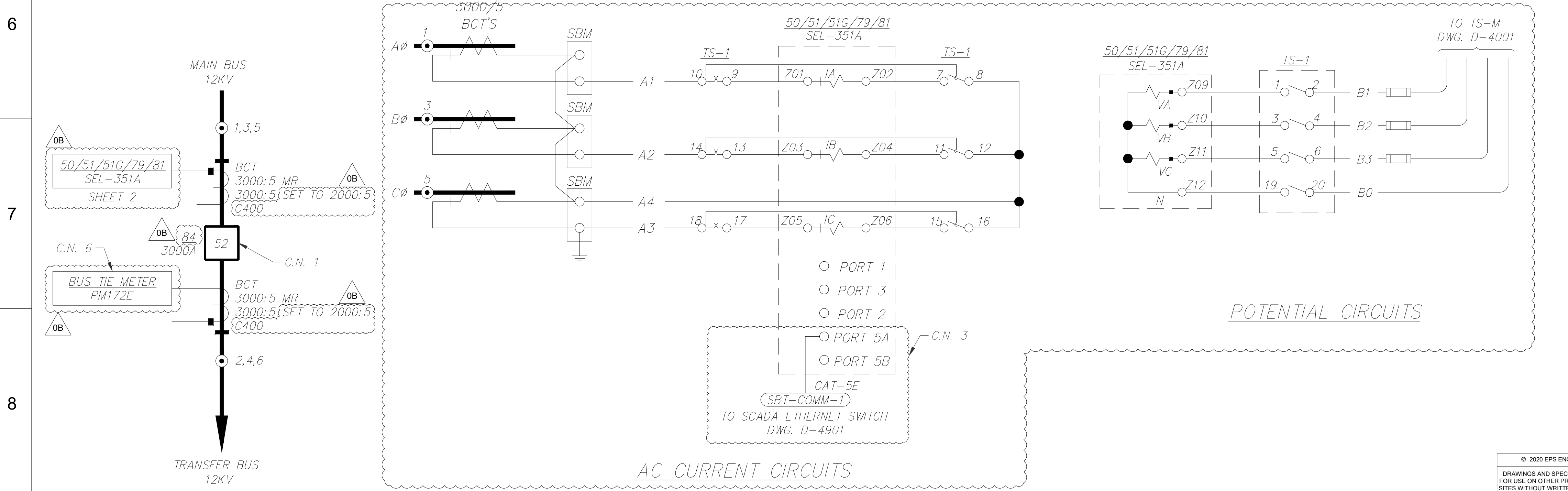


- CONSTRUCTION NOTES:**
- INSTALL 3000A BUS TIE BREAKER ON SOUTH BUS.
 - INSTALL RELAYING AND EQUIPMENT (ALL EQUIPMENT THIS SHEET UNLESS OTHERWISE NOTED) FOR THE BREAKER PROTECTION AND CONTROL ON COMMUNICATION PROCESSOR (SEL-2030) PANEL.
 - INSTALL ETHERNET COMMUNICATION FROM EXISTING SCADA ETHERNET SWITCH TO NEW SEL-351A BUS TIE RELAY.
 - CONNECT ALARM OUTPUTS TO EXISTING SEL-2030 DC CIRCUIT USED FOR DISCRETE INPUTS.
 - INSTALL ALARM OUTPUS TO EXISTING SEL-2030-2.
 - INSTALL METER FOR THE BREAKER.
 - ON HOLD: BREAKER TERMINALS TO BE UPDATED PER VENDOR PRINTS.
 - ON HOLD FOR CLARIFICATION: CITY OF AZUSA TO IDENTIFY WIRING POINT FOR POSITIVE DC.
- NOTES:**
- BREAKER INTERNAL CIRCUITS NOT SHOWN. SEE BREAKER VENDOR PRINTS (ON HOLD) FOR COMPLETE CIRCUIT.
- REFERENCE DRAWINGS:**
- D-4002 SOUTH BUS TIE 12KV AC & DC SCHEMATIC DIAGRAM SHT. 2



REV	DATE	BY	QC	LD	DESCRIPTION
0B	03.04.20	DPP	JAB	LLQ	60% DETAIL DESIGN
0A	01.22.20	DPP	JAB	LLQ	30% DETAIL DESIGN

TEMPORARY ISSUE TRACKING BLOCK DSG19083

NOT FOR CONSTRUCTION **INSTALL**

**CITY OF AZUSA
LIGHT & WATER DEPARTMENT
AZUSA, CA**

EPS ENGINEERING & DESIGN
A Division of Electric Power Systems International, Inc.
1338 E. KINGSLEY, SUITE B
SPRINGFIELD, MO 65804
PHONE: (417) 886-4840
FAX: (417) 886-4842

DRAFTER: DPP	ENGR: JAB	DATE:
CHECKER: JAB	APPD: LLO	SCALE: NTS
REV 0	DATE	DESCRIPTION
		SOUTH BUS TIE BREAKER ADDITION

**SOUTH BUS TIE 12KV
AC & DC SCHEMATIC DIAGRAM SHT. 1**

DRAWING NO.	REV.
D-4001	0

© 2020 EPS ENGINEERING & DESIGN INC.
DRAWINGS AND SPECIFICATIONS ARE NOT INTENDED FOR USE ON OTHER PROJECTS AT THIS SITE OR OTHER SITES WITHOUT WRITTEN APPROVAL OF THE ENGINEER