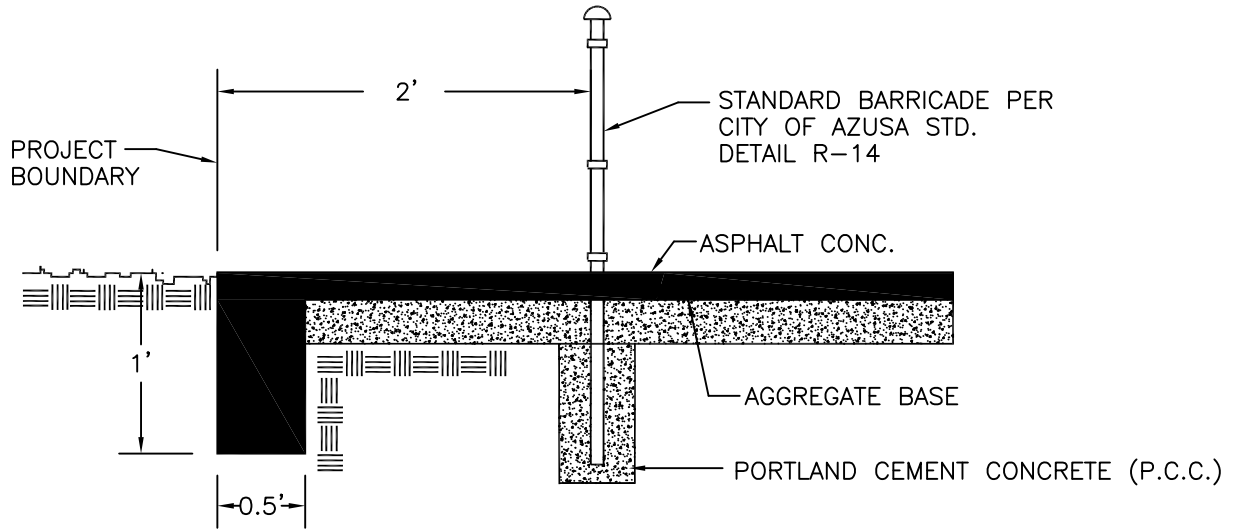




CITY OF AZUSA

ENGINEERING DIVISION

ASPHALT CUT-OFF



TO BE USED AT ALL PAVEMENT ENDINGS