



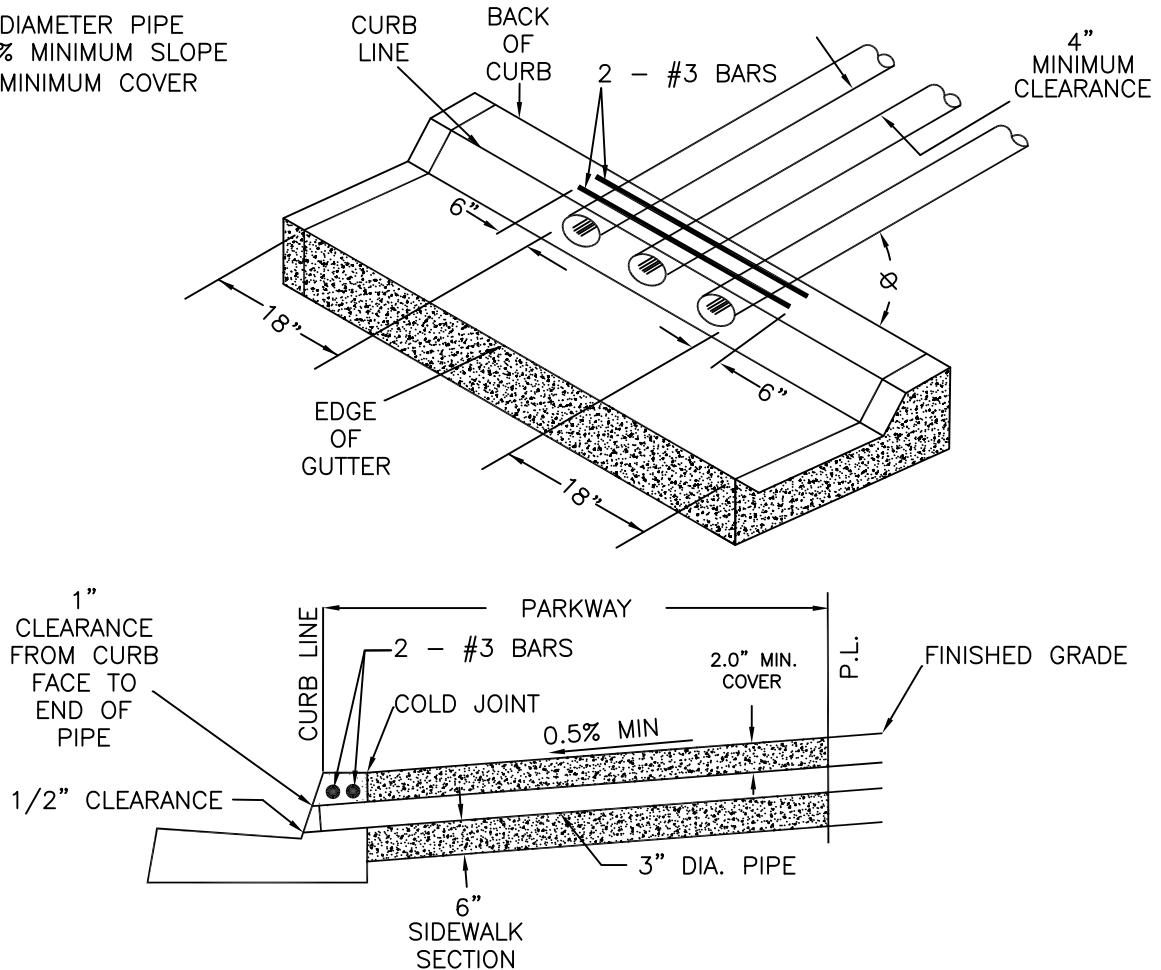
# CITY OF AZUSA

ENGINEERING DIVISION

## CURB DRAIN DETAILS

### CASE 1

- 3" DIAMETER PIPE
- 0.5% MINIMUM SLOPE
- 2" MINIMUM COVER



### NOTES:

1. DRAINS SHALL BE 3" DIAMETER PIPES UNLESS OTHER SIZES AND SHAPES ARE APPROVED BY THE CITY ENGINEER. PIPE MATERIAL SHALL BE CAST IRON OR WHITE PVC SDR 35.
2. ANGLE "θ" = 90°, UNLESS OTHERWISE SPECIFIED.
3. THE NUMBER OF PIPES AT ANY LOCATION SHALL NOT EXCEED 3; IF GREATER CAPACITY IS REQUIRED, USE SIDEWALK CULVERT PER STANDARD DRAWING NO. R-10.
4. ALL CONCRETE SHALL BE 560-C-3250 PER STANDARD SPECIFICATIONS FOR PUBLIC WORKS CONSTRUCTION. ALL CONCRETE SHALL BE PLACED WITHIN 90 MINUTES OF DISPATCH.
5. IN CASES OF EXISTING SIDEWALK AND CURB AND GUTTER, THEY SHOULD BE SAWCUT TO THE NEAREST UNDAMAGED SCORELINE.



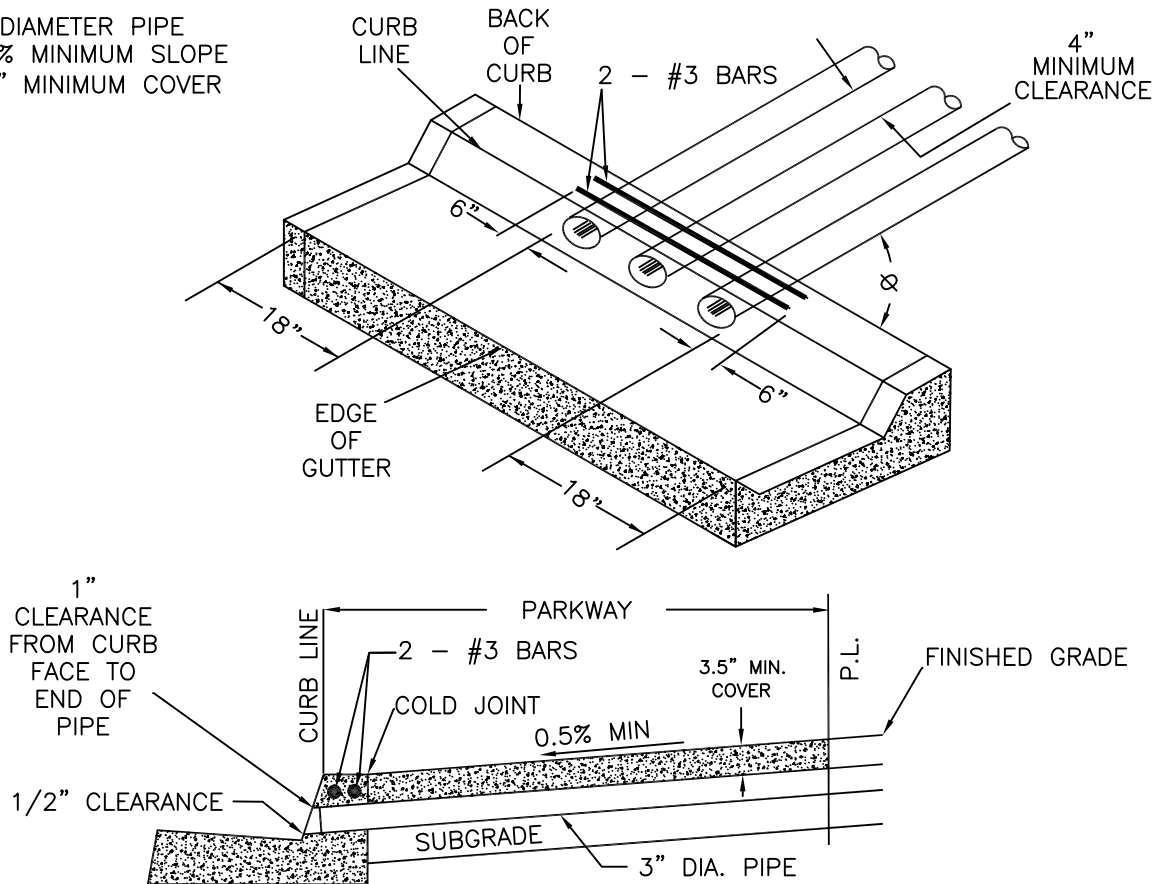
# CITY OF AZUSA

ENGINEERING DIVISION

## CURB DRAIN DETAILS

### CASE 2

- 3" DIAMETER PIPE
- 0.5% MINIMUM SLOPE
- 3.5" MINIMUM COVER



### NOTES:

1. DRAINS SHALL BE 3" DIAMETER PIPES UNLESS OTHER SIZES AND SHAPES ARE APPROVED BY THE CITY ENGINEER. PIPE MATERIAL SHALL BE CAST IRON OR WHITE PVC SDR 35.
2. ANGLE "θ" = 90°, UNLESS OTHERWISE SPECIFIED.
3. THE NUMBER OF PIPES AT ANY LOCATION SHALL NOT EXCEED 3; IF GREATER CAPACITY IS REQUIRED, USE SIDEWALK CULVERT PER STANDARD DRAWING NO. R-10.
4. ALL CONCRETE SHALL BE 560-C-3250 PER STANDARD SPECIFICATIONS FOR PUBLIC WORKS CONSTRUCTION. ALL CONCRETE SHALL BE PLACED WITHIN 90 MINUTES OF DISPATCH.
5. IN CASES OF EXISTING SIDEWALK AND CURB AND GUTTER, THEY SHOULD BE SAWCUT TO THE NEAREST UNDAMAGED SCORELINE.